

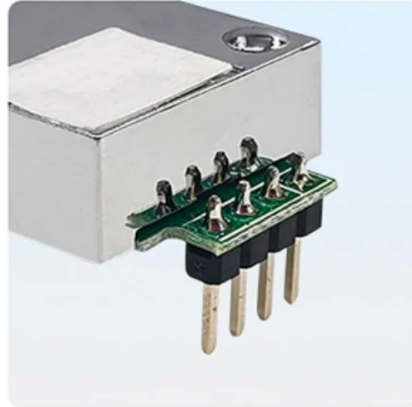
Aliexpress C8 CO2 Sensor



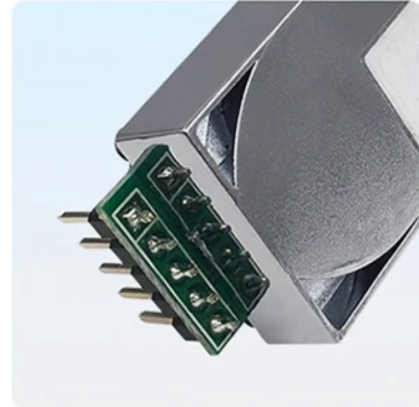
C8 400-5000PPM

Specification:

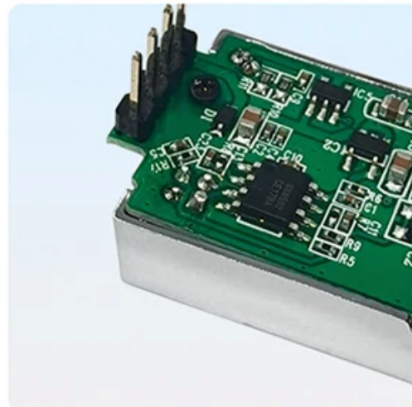
Main characteristics



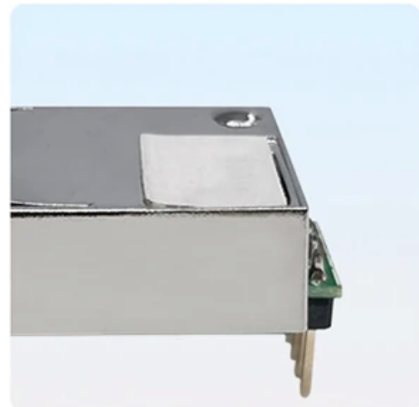
NDIR



Single wavelength



**Industrial-grade
Precision**



Minuscule Size

4. Technical Index

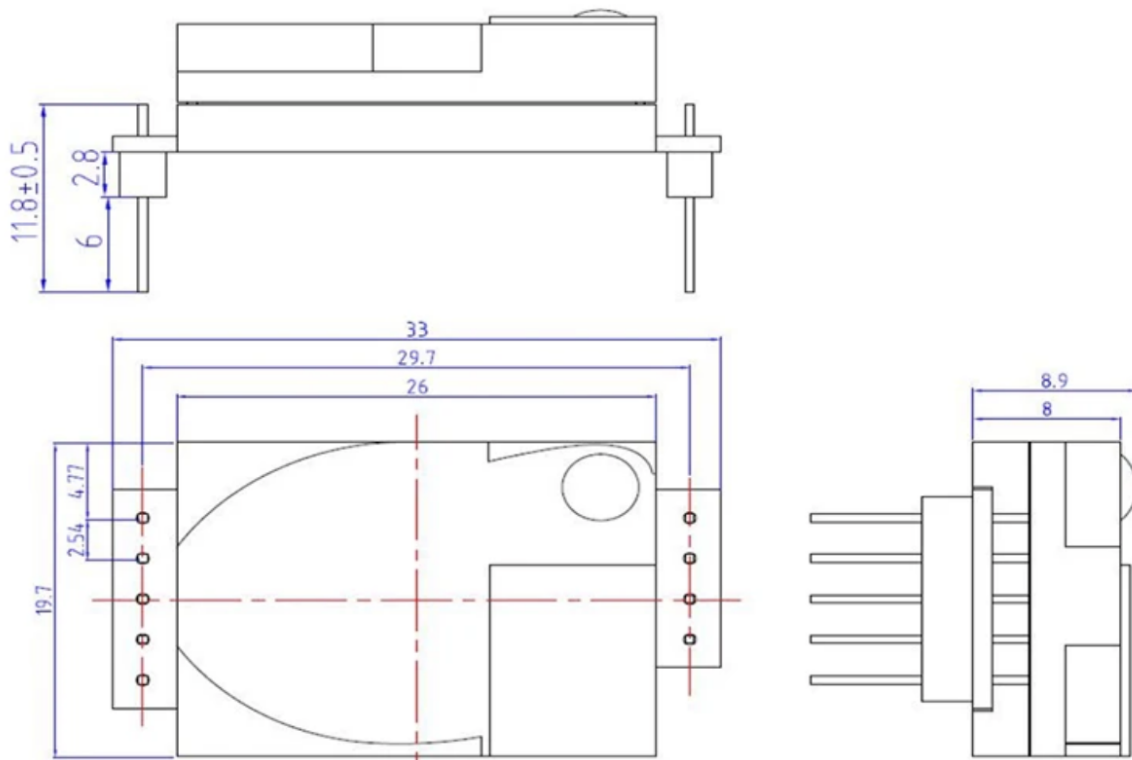
Parameter	Index	Unit
Accuracy effective Range (Keep Consistency Error)	400~5000	ppm
Maximum Range	400~5000	ppm
Resolution	1	ppm
Maximum Consistency Error (400~5000ppm)	$\pm (50\text{ppm}+5\% \text{ of Reading})$	
Response Time (Environmental change)	<3 minutes for 90% step change typical	Minute(min)
Single Update	<3 (Typical 1s)	Second(s)
Update or Warmup Time	8s(update time) <25s (operational) <3min(90% accuracy) <10min (maximum accuracy)	
DC Power Supply	Typ:5.0 Min:4.5 Max: 5.5	Volt(V)
Active Current	150mA peak ,70mA average	Milliampere(mA)
Interface Level	L <0.8 @3.3 H >2.7@3.3	Volt(V)
Working Temperature Range	-10~+60	°C
Working Humidity Range	0~95% non condensed	
Storage Temperature Range	-40~+85	°C
Maximum storage Temperature & Humidity	70/85	°C/%
Life Time	≥ 10	Year(Y)
Physical Size	33×21×11	Millimeter(mm)

2

	Serial Number	Name	Description
CON5	①	NC	Reserved
	②	RX	Serial port (circuit board serial port receiver)
	③	TX	Serial port (circuit board serial port transmitter)
	④	NC	Reserved
	⑤	NC	Reserved
CON4	⑥	+5V	Power Input terminal (+5V terminal)
	⑦	GND	Power Input terminal (ground terminal)
	⑧	NC	Reserved
	⑨	PWM	Pulse Width Modulation

Specifications

High-concerned chemical	None	Size	Digital Sensor
Type	Gas Sensor	Model Number	C8D SC8 C8 high-precision NDIR infrared carbon dioxide sensor module
DIY Supplies	Electrical	Origin	Mainland China
CO2	Monitor UART PWM Detection Transmitter	High Precision	Gas Concentration Detection Module



When some shipping fee will be charged multiple times.
 Or you need many products, we will give you discount.
 Please place order first and contact us to change the price. Thank you!

Best Quality
 Best Price
 Best Service

Description

Report Item

NDIR CO2 Gas Sensor Module High Sensitivity, Low Power Consumption Anti-water Vapor Interference

- Automatic calibration
- NDIR
- Single wavelength
- Industrial-grade Precision
- Minuscule Size
- UART / PWM Output